



see what Delta can do™

## SHOWER HEAD

### ■ 3-Spray Setting Shower Head

#### FEATURES:

- Touch-Clean® Spray Holes

#### STANDARD SPECIFICATIONS:

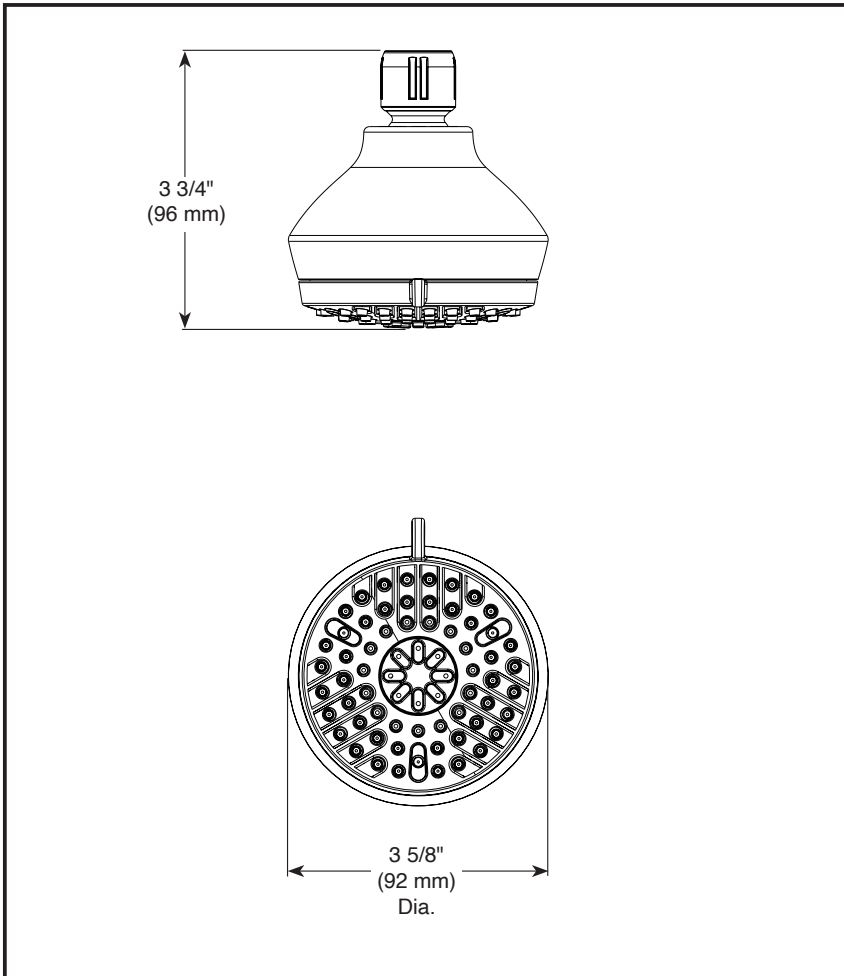
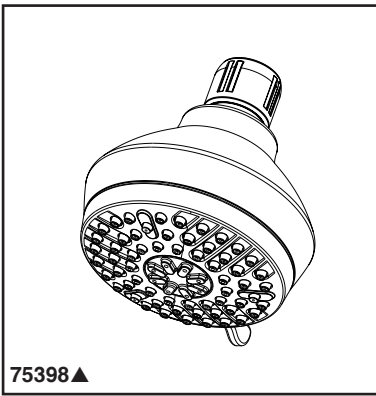
- Max flow rate 2.5 gpm @ 80 psi, 9.5 L/min @ 550 kPa
- Shower head with three spray settings
- Change spray settings with easy-turn dial
- Ball connector swivel angle is 36° (18° per side)
- Fits standard 1/2"-14 NPT pipe fitting
- 3 Spray settings include: Full Body spray, Massaging spray and Shampoo Rinsing spray

#### WARRANTY:

- Parts and Finish – Lifetime limited warranty; or for commercial purchasers, 10 years for multi-family residential (apartments and condominiums) and 5 years for all other commercial uses, in each case from the date the product is received by the original purchaser or their authorized representative (installation contractor, etc.).
- Please go to [www.deltafaucet.com](http://www.deltafaucet.com) for the complete details of our limited warranty.

#### COMPLIES WITH:

- ASME A112.18.1 / CSA B125.1



▲ Designate proper finish suffix

Delta Faucet Company reserves the right (1) to make changes in specifications and materials, and (2) to change or discontinue models, both without notice or obligation. Dimensions are for reference only. See current full-line price book or [www.deltafaucet.com](http://www.deltafaucet.com) for finish options and product availability.

DSP-B-75398 Rev. B

#### Delta Faucet Company

55 E. 111th Street, Carmel, IN 46280  
350 South Edgeware Road, St. Thomas, ON N5P 4L1  
© 2025 Delta Faucet Company